

TYPHOON500 500mm STEEL AIR FAN

The TYPHOON500 500mm steel pneumatic air fan is a rugged air fan for use in underground coal mines, hard rock mines and construction sites. The fan can be used for ventilation purposes to either draw polluted air or gases away from an area or to ventilate with clean air.

The outer housing is constructed from Zinc coated mild steel. The drive hub and guards are of a steel construction. The three blade impeller is made from FRAS polyurethane and has a unique double function of allowing the air supply to turn the blades, meaning that there is no actual motor, and it also creates the air flow of the fan.

The fan can be used as a stand alone unit or with ducting fitted over the outer housing. Two hanging points are provided so that the fan can easily be mounted with chain or straps from a roof.

The air inlet is a standard Type A snap coupling style.

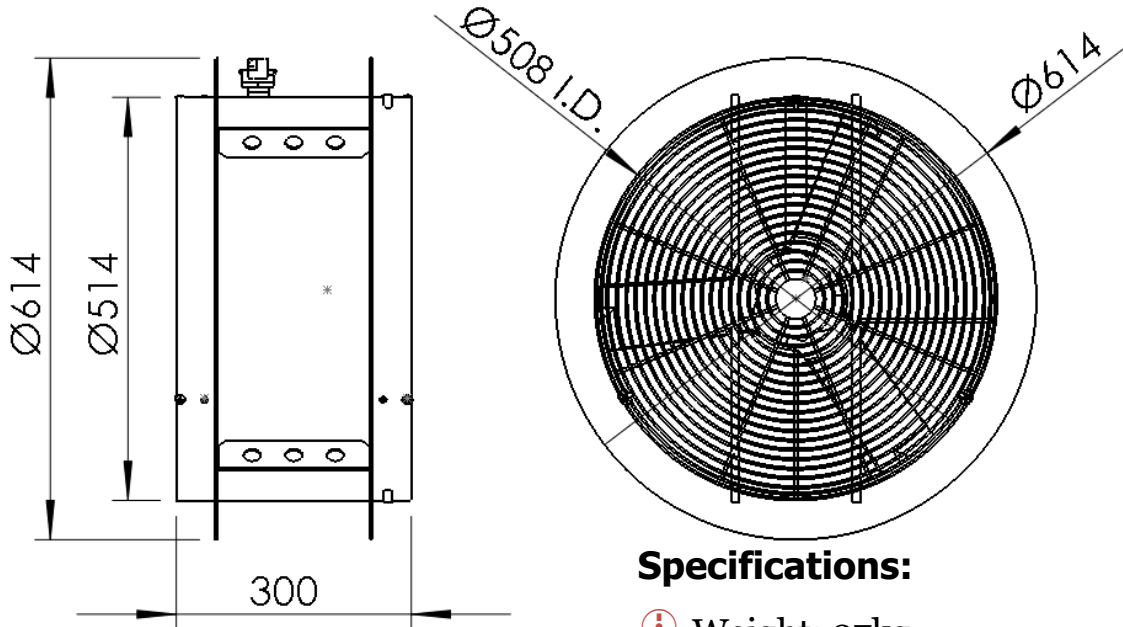
For a light weight alternative for use in hazardous zones use the part number Typhoon500FRAS OR TYPHOON500FRAS-6 500mm FRAS fibreglass fan

Features:

- Steel cowling
- Rugged construction
- 3 blade impeller
- Variable speed

Applications:

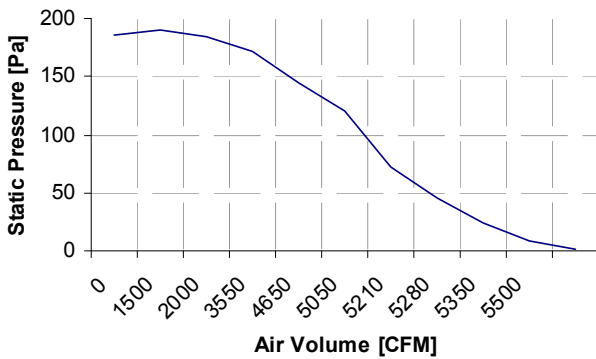
- Hard rock mines
- Coal mines
- Tunnels and shafts
- Sewers and manholes
- Refineries
- Tanks and ship's holds



Typhoon 500mm Fan

Specifications:

- ⊗ Weight: 27kg
- ⊗ Overall length: 300 mm
- ⊗ Internal diameter: 508mm
- ⊗ External diameter ends: 514 mm
- ⊗ External diameter flange: 614mm
- ⊗ Impeller: 500 mm
- ⊗ Air consumption: 0.07 m³/sec
- ⊗ Fan discharge @ 650kpa: 2.4 m³/sec



Typhoon 500mm Fan

